

## Roller Blind

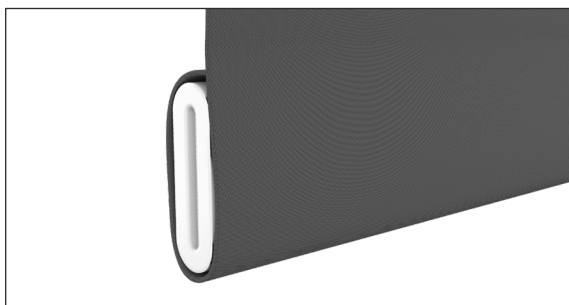
The Ouro roller blind comes with standard installation brackets for recess fit or surface fit.

Can be fitted within the recess of the window and on the front surface of the window. Available in a reverse or standard roll and the control mechanism (chrome chain) can be on the left- or right-hand side.



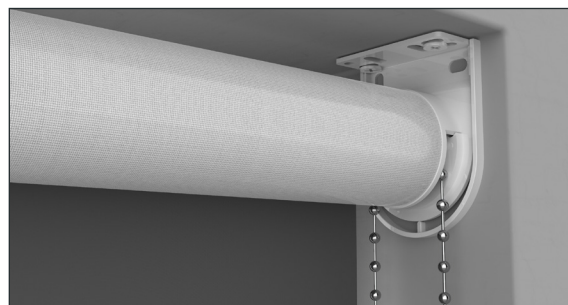
### Features

Bloc Blinds incorporate a number of specially developed features that enhance the premium quality of our blinds;



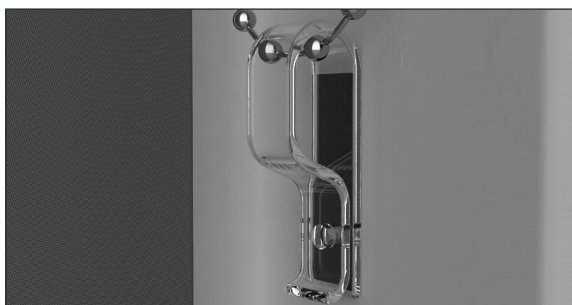
### Bottom Bar

Roller blinds are available with a welded pocket this provides a seamless finish on the fabric a pvc bar is then inserted in the pocket.



### Clutch and chain

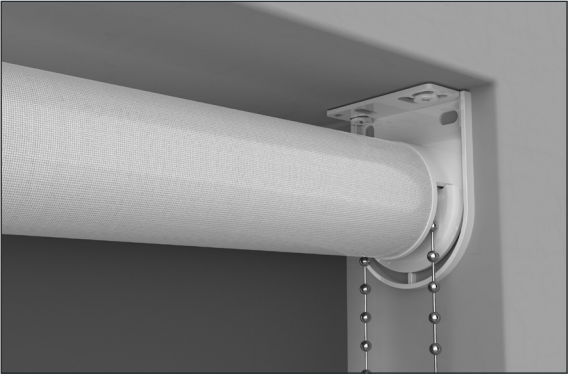
The Clutch and chain are used to operate the blind. The chain is cut to length dependant on blind installation height. Metal brackets are supplied with covers.



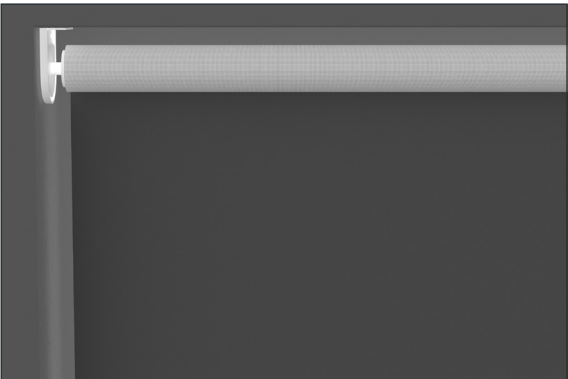
### P-Clip

P-Clip attached to the chain ensuring conform to European regulations on child safety.

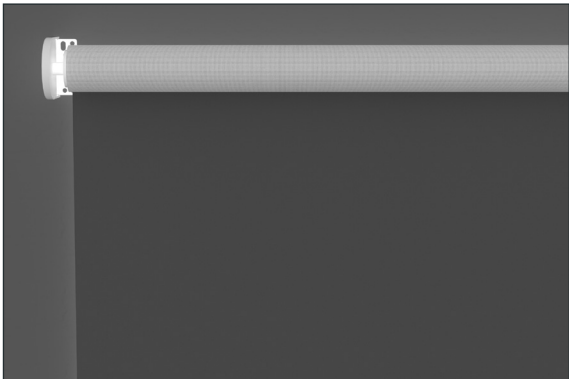
**Standard Brackets in position with fitting options**



**Standard Brackets**  
Can be used both outside and inside of the window recess.



**Recess fit**  
Top and side fix



**Surface fit**

## Bracket colour options for standard brackets



**White**  
Matt finish

### **PRODUCT SIZE LIMITS : LOUVOLITE SYSTEM 32**

Min width: 200mm  
Max width: 2000mm  
Min drop: 200mm  
Max drop: 3000mm

### **PRODUCT SIZE LIMITS : LOUVOLITE SYSTEM 40**

Min width: 2000mm  
Max width: 2400mm  
Min drop: 200mm  
Max drop: 3000mm

Bracket covers included  
Chain length dependent on  
installation height

### **Operation**

The blind is operated with a chrome chain.

### **Care**

To keep the blind looking it's best through time the customer must ensure the product has been installed and operated securely and correctly, the fabric can be cleaned with a synthetic or feather duster and can be wiped lightly with a damp cloth.

### **Maintenance**

Our products do not present any corrosion problems in normal working environments. If there is a failure of a component, it can be replaced without the need for a new complete blind.

### **Replaceable components:**

Clutch & chain.